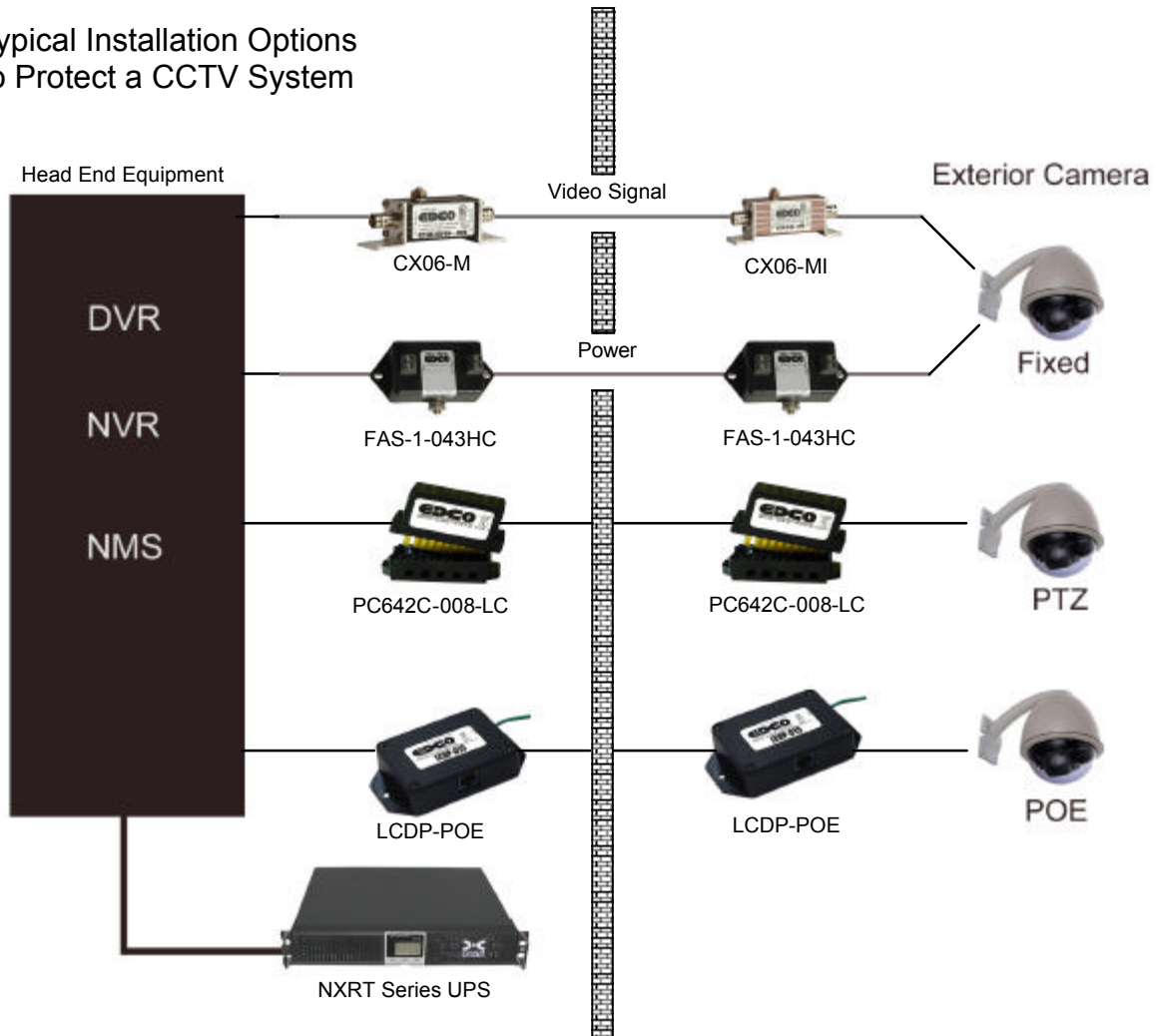


CCTV Surge Protection Camera, Control & Recording

Typical Installation Options
to Protect a CCTV System



Security equipment intended to protect life and property can and should be protected from power surges that result from lightning or from any of several man made sources. The above illustration shows a variety of components that can be combined to provide full system protection for cameras as well as control and recording equipment.

Outdoor installation of cameras or other security related equipment, can dramatically increase the chance of lightning damaging or destroying a security data network. In the above illustration, surge protection is installed at both the head end and the camera end of data, signal and power lines. This process protects equipment in the event high voltage is conducted into a low voltage cable on the outside of a building.

Utility power failure can render a network useless, as well. A CCTV surveillance system is blind in a blackout without battery back up. For that reason we recommend all security recording and control equipment be supported by an on-line UPS. Additional battery modules can be added to achieve longer UPS run time.

In Line Surge Protection from EDCO

CX06-M is a single coax cable protection device featuring a three stage technology. Over voltage transients are controlled with a primary gas discharge tube (GDT) and secondary silicone avalanche diode (SAD). Over current protection against sneak and fault currents is provided by automatically resetting PTCs. Together these components provide up to 20kA of surge current protection. Performance is enhanced with a ground lug for connection to earth. The **CX06-MI** casing is isolated from the ground connection. This device is recommended for the camera end of a video line.

FAS-1-043HC provides multi stage protection to a single pair of wires. (For dual pair protection see the FAS-2.) The FAS Series is available in a variety of voltages. This particular version is recommended for applications up to 24 VAC. It is not recommended for continuous current loads greater than 2.5 amps.

PC642C-008-LC is a dual pair (four wire) protection device which employs three component stages for protection: gas discharge tubes (GDT), silicone avalanche diodes (SAD) and automatically resetting over current protection (PTCs). The combination of these components significantly increases performance and the service life of the protection device. The PC642C-008-LC is designed for RS-485 and RS-422 data lines with a low capacitance feature that clamps surges at 8 volts. It connects via a gold plated card edge with a base, PCB1B (sold separately), which should be firmly mounted to a surface and hard-wired to ground.

LCDP-POE has two RJ-45 jacks and a ground lead. Its surge protection utilizes silicone avalanche diode (SAD) technology and exhibits very low capacitance (< 30pf) to accommodate high data rates. The LCDP Series is available for a number of voltage applications. The POE version begins protecting against power surges at levels above 75 VDC.

Battery Support from Xtreme Power Conversion

NXRT Series has four models of true on-line UPS. Connected equipment is powered off the UPS batteries 100% of the time. No power fluctuations, surges or line noise can reach connected equipment. NXRTs can be connected to an unlimited number of external battery modules, allowing for extremely long run times in the event of a power failure - just what's needed for security applications. There are four models in this series, ranging from 1,000 to 3,000 VA. Each can be rack, wall or tower mounted.

EDCO pioneered use of *Hybrid Series* surge protection in the mid 1970's. Originally designed to protect digital traffic light controllers, this multiple component approach has been successfully applied in a range of markets and applications including security, telecommunications and industrial controls. EDCO is a division of Emerson Network Power.

Xtreme Power Conversion is an innovative provider of high quality UPS products at innovative market prices. Juice Goose offers sixteen different models of Xtreme UPS from 1,000 to 3,000 VA in on-line and line interactive designs.



Houston, Texas

For more information
713-772-1404
info@juicegoose.com
www.juicegoose.com